

System V™ Components

BT5820

Ceiling Mount



Fixed Ceiling Mount for 35mm Poles

- Small ceiling plate with attractive finish
- Integrated cable management
- Supplied with safety bolt for a secure install
- Ceiling fixings included
- Ceiling plate diameter: 150mm (5.9")
- Ceiling drop: 110mm (4.3")
- Available in Black and White



For more information please visit : www.btechavmounts.com/BT5820

BT5820-CP

Ceiling Mount Cover Plate



Ceiling Mount Cover Plate

- Optional Cover plate for BT5820 Ceiling Mount
- Hides ceiling mount fixings for a smarter installation
- Available in Black and White

BT5820-CP →



← BT5820



For more information please visit : www.btechavmounts.com/BT5820-CP

BT5835-075

Poles

BT5835-150

0.75m and 1.5m Poles

- ø35mm diameter poles
- Attachment for mount at the bottom of the pole
- Additional holes provided for poles to be cut at 200mm increments (if required)
- Features safety bolt holes at the top for secure installation
- Can be used with BT7035 collars
- Available in Black and White



BT5835-075 Pole Length: 750mm

BT5835-150 Pole Length: 1500mm



For more information please visit : www.btechavmounts.com/BT5835-075
www.btechavmounts.com/BT5835-150

BT5880

Projector Mount

Universal Carousel Projector Mount

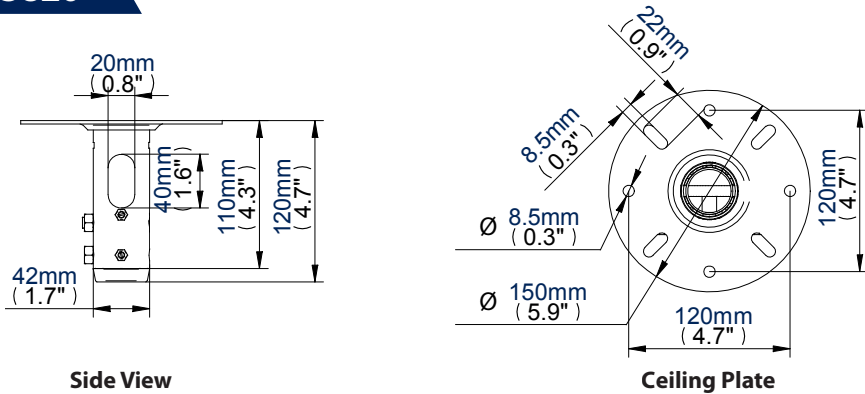
- Designed for LCD/LED/DLP projectors up to 10kg (22lbs)
- +/- 15° tilt adjustment, +/- 15° roll adjustment & 360° swivel
- Keyhole 'hook-on' feature for easy installation
- Includes unique universal carousel mount to fit all LCD/LED/DLP projectors with all mounting hardware included
- Projector can be mounted directly to the carousel without using the legs (if required)
- Maximum distance between any 2 fixing points: 493mm (19.4")
- Suitable for projectors using M2.5, M3, M4, M5 or M6 fixings
- Available in Black and White



For more information please visit : www.btechavmounts.com/BT5880

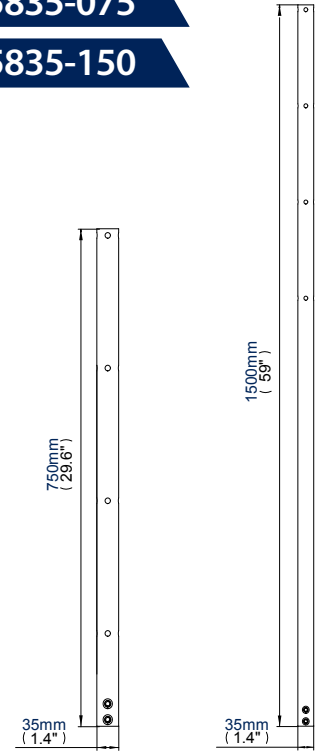
System V™ Components

BT5820



BT5835-075

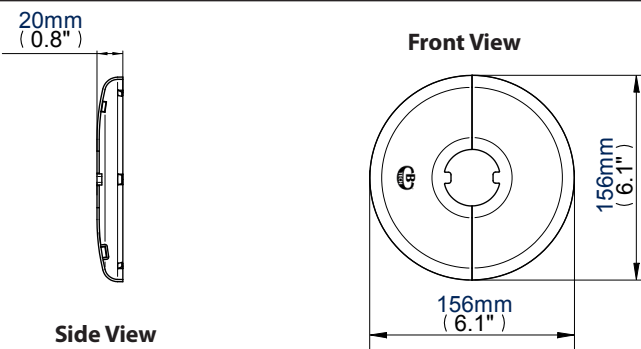
BT5835-150



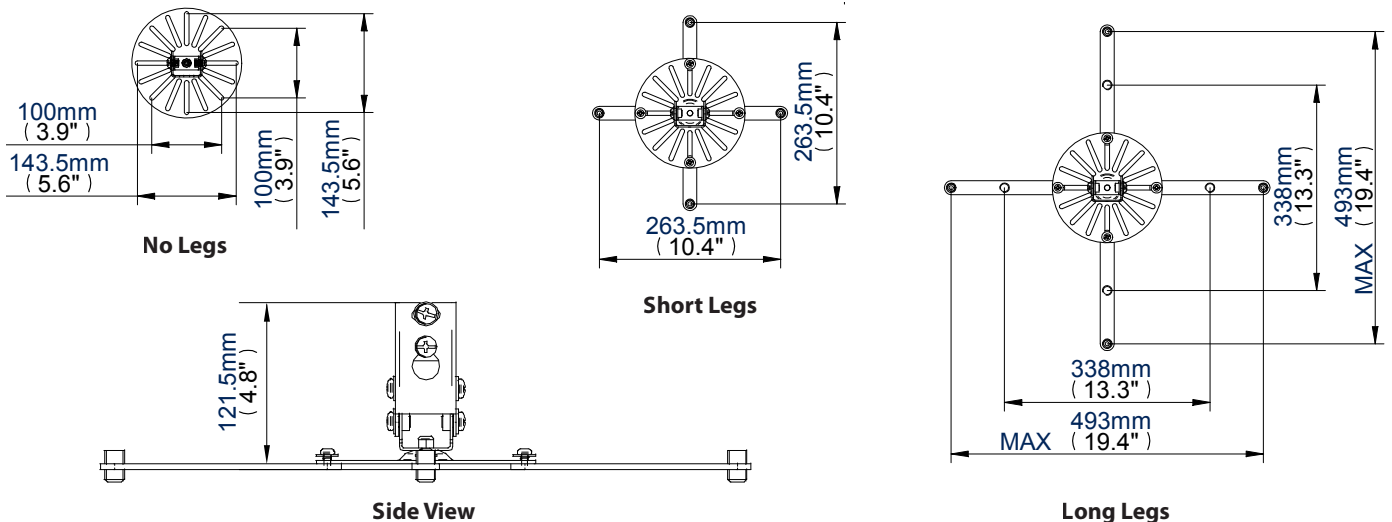
BT5835-075

BT5835-150

BT5820-CP



BT5880



This information is intended as a guide only and reflects the current specification at the time of print.
 B-Tech accepts no liability for the accuracy of the information contained in this document.